

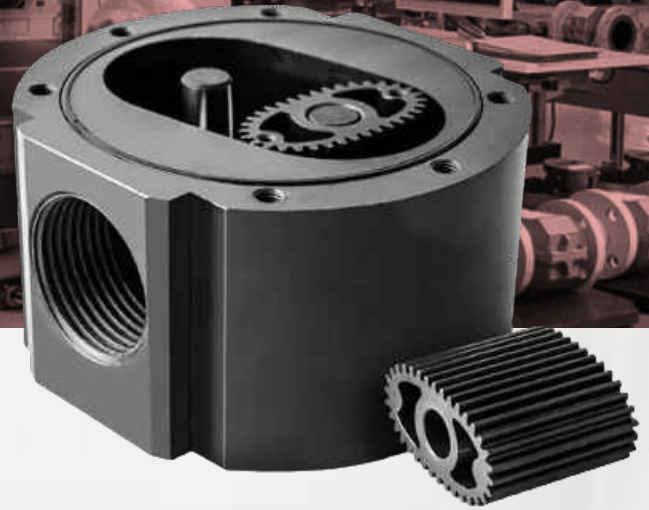
# ***DIGITAL OVAL GEAR FLOW SENSOR & METER***

***DOGFM Series***



**FLOWTECH**

CE



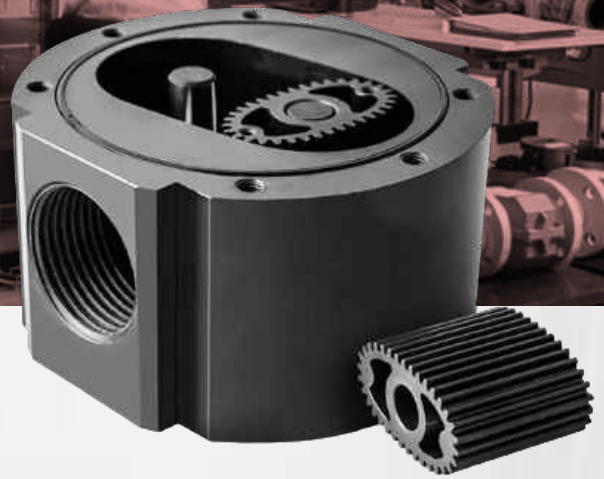
## Material of Construction:

*Oval Gear Flow Sensor & Meter*

<b>Enclosure</b>	Aluminum anodize/S.S-304/S.S-316
<b>Rotor</b>	Aluminum anodize/S.S-316/PPS
<b>O-ring</b>	NBR/Viton
<b>Shaft</b>	Hard Stainless Steel-316
<b>Accuracy (standard installation position)</b>	±1% RS /0.15% FSD Repeatability : 0.1%.
<b>Maximum working pressure</b>	1). 5 MPa for aluminum body, 2). 25 MPa for S.S body, above 250 bars please Contact Company
<b>Fluid &amp; Ambient temperature</b>	- 40 to 80°C
<b>Connection</b>	Thread (M/F) or Flange.

## Pulse Output Sensor:

<b>Power voltage</b>	12 V DC / 24 VDC / 230 VAC/ Battery Operated/ Custom
<b>Output signal</b>	NPN open connector
<b>Output</b>	4-20mA / 4-20mA + HART
<b>High electric level</b>	High than 8 VDC (input voltage 12 VDC)
<b>Low electric level</b>	lower than 0.8 VDC (input voltage 12 VDC)



*Oval Gear Flow Sensor & Meter*

## Battery Operated Meter:

<b>Power voltage</b>	3.3 V10AH lithium batteries can be used more than 5 years in a row.
<b>Display mode</b>	Double row Liquid Crystal Display (LCD), as follows
	L XXX. X four instantaneous flow (m <sup>3</sup> / h)
	r L/h XX. XXXXXX eight cumulative flow (m <sup>3</sup> ) or L
<b>Cumulative flow</b>	Automatically expand the display precision; the cumulative flow values can be reset.
<b>Power-fail protection</b>	Instrument coefficient, The Total flow values ten years is not lost when power supply drop.

## Display :

<b>Display</b>	4 to 20 mA Output
<b>Power voltage</b>	24 V DC
<b>Output signal</b>	4 TO 20 mA/ 4-20mA+HART
<b>Communication Output</b>	RS 485

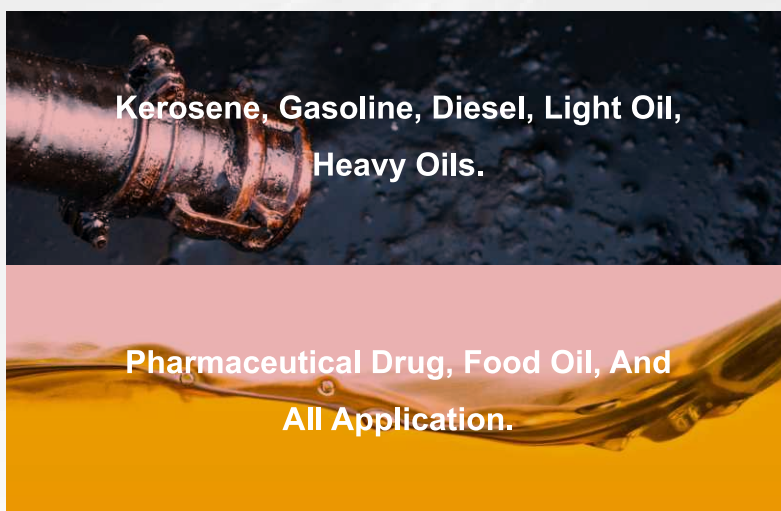
## Technical Data Sheet:

MODEL NO	LINE SIZE	RANGE
FMIPL-DOGFM-004	¼"	1 - 60 LPH
FMIPL-DOGFM-006	¼"	20 - 150 LPH
FMIPL-DOGFM-008	3/8"	30 - 300 LPH
FMIPL-DOGFM-015	15 NB	100 - 1200 LPH
FMIPL-DOGFM-020	20 NB	200 - 2000 LPH
FMIPL-DOGFM-025	25 NB	400 - 4000 LPH
FMIPL-DOGFM-040	40 NB	1000 - 10000 LPH
FMIPL-DOGFM-050	50 NB	1200 - 20000 LPH
FMIPL-DOGFM-080	80 NB	2000 - 50000 LPH

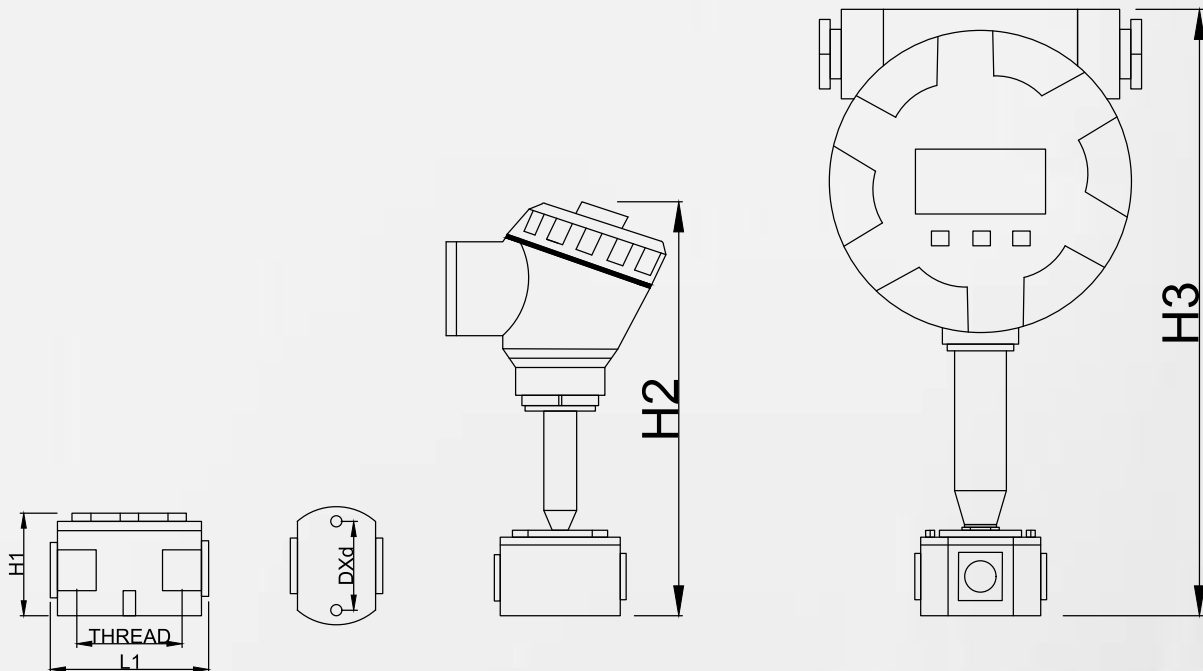
## Calibration process:

- \*Calibrated each flow sensor with three pressure point : 0.5, 4 and 25 bar ,
- \*All pressure calculate pulse/litter at : 25%, 50%, 75% and 100% flow rate
- \*Calibrated with pure diesel.

## Application:

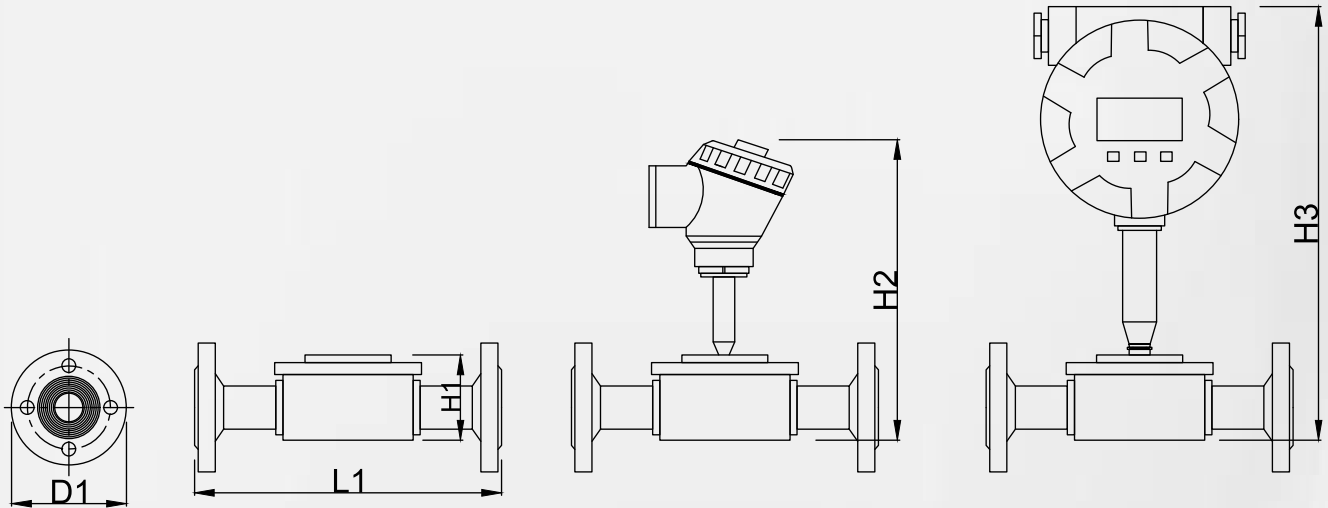


## Dimension Drawing Threaded :



	L1	H1	DXD	THREAD	H2	H3
4	60	45	50 X M 5	1/4" BSP	210	235
6	60	45	50 X M 5	1/4" BSP	210	235
8	68	50	60 X M 5	3/8" BSP	215	240
12	78	50	60 X M 5	1/2" BSP	215	240
20	82	59	75 X M 5	3/4" BSP	224	249
25	94	68	90 X M 5	1" BSP	233	258
40	198	98	180 X M 8	1.25" BSP	263	288
50	198	130	180 X M 8	2" BSP	295	320
80	210	140	200 X M 8	3" BSP	305	330

## Dimension Drawing Flange End :



PART	L1	H1	D1	H2	H3
4MM	150	45	½" 150 CLASS	210	235
6	150	45	½" 150 CLASS	210	235
8	170	50	½" 150 CLASS	215	240
12	175	50	½" 150 CLASS	215	240
20	180	59	½" 150 CLASS	224	249
25	200	68	1" 150 CLASS	233	258
40	291	98	1.5 " 150 CLASS	263	288
50	420	130	2" 150 CLASS	295	320
80	425	140	3" 150 CLASS	305	330

## Product Ordering Information

### Order Code for Oval Gear Flow Meter Model

#### FM IPL-DOGFM

Body MOC	Description	Code
	SS 316	B 1
	SS 304	B 2
	SS 316L	B 3
	Aluminium	B 4
	Customised	B 5

P.C Stds	Description	Code
	Thr BSP(F)	C 1
	THR NPT(F)	C 2
	Flg. ASA 150	C 3
	Customised	C 4

#### Shaft as per Body MOC

Process Connection	Description	Code
	Threaded	T
	Flange-End	F
	T.C. End	T.C.

Protection Category	Description	Code
	Weatherproof	WP
	Flameproof	FLP
Others	OTH Certificate	

Process Connection MOC	Description	Code
	SS 316	P 1
	SS 304	P 2
	SS 316L	P 3
	Aluminum	P 4
Customized	P 5	

Output	Description	Code
	4-20mA	O 1
4-20mA + HART	O 2	

Display Mounting	Description	Code
	Intergal	I
Remote	RE	

Communication Output	Description	Code
	RS-485	CO 1
	Pulse	CO 2
Relay	CO 2	

Line Size : 4" to 3"

\*De-Codification from top-Bottom & Left - Right

**FLOWTECH**

Scan QR to Connect



*Flowtech Measuring Instruments Pvt Ltd*

sales@flowtech-instruments.com  
flowtech-instruments.com

