

ULTRASONIC LEVEL TRANSMITTER

FLOWSON-LT



FLOWTECH

CE



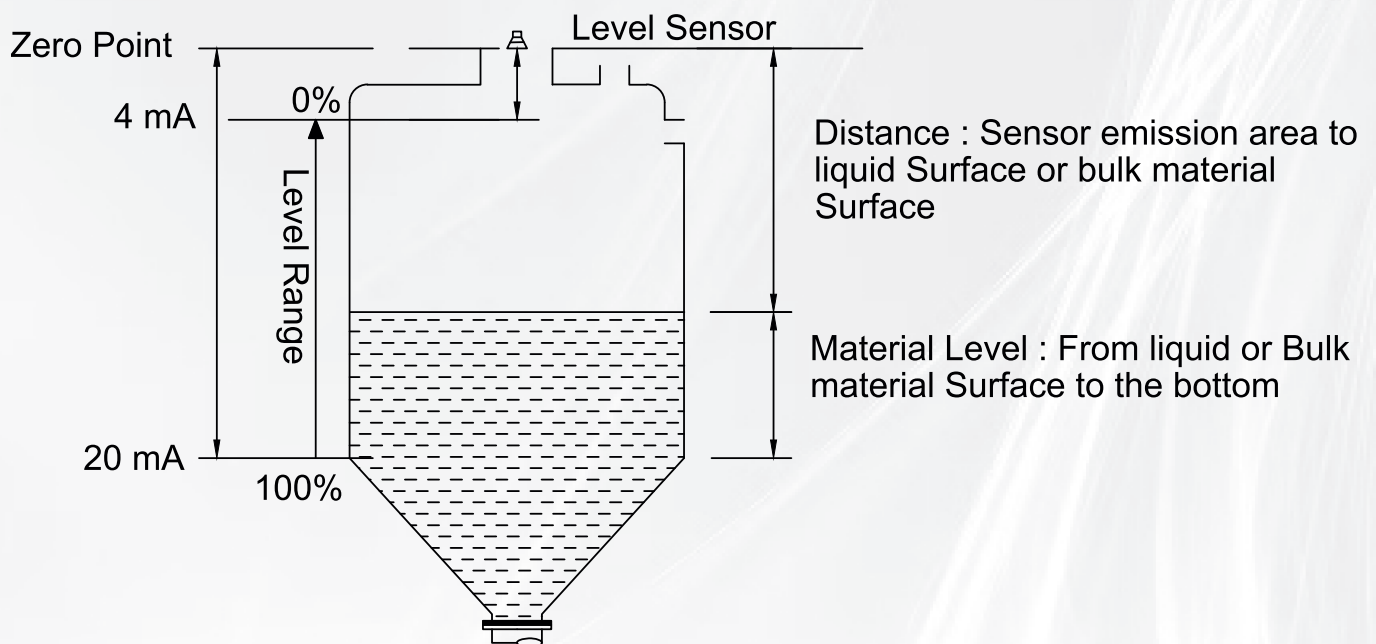
Product Description

Flowtech Ultrasonic Level Transmitter for Liquids is a non-contact system consisting of an Ultrasonic Transducer integral with Transreceiver. The principle of operation is often referred to as 'time of flight'. An ultrasonic pulse is emitted from transducer down towards the target and is reflected back from the surface.

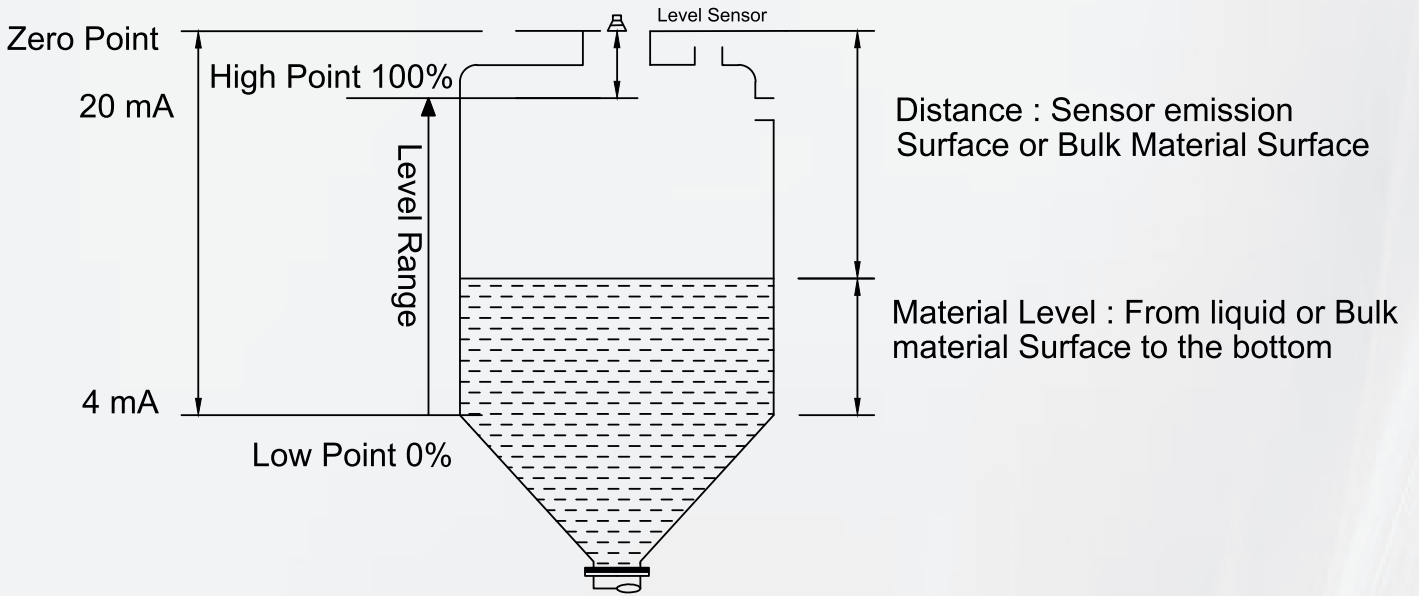
The time it takes to travel 'from and to' the transducer is directly proportional to distance travelled. The system consists of transmitter with 2 core screened signal cable plus indicator or controller along with protection canopy and mounting accessories

Operating Principle :

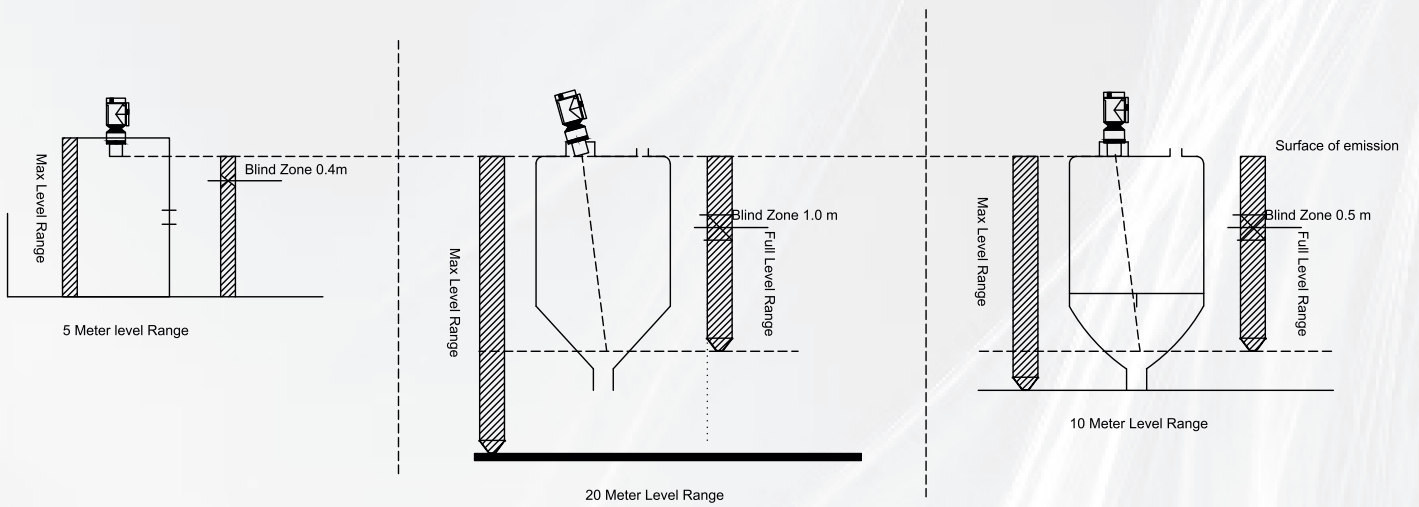
1. Diagram of Distance Measurement



1. Diagram of Level Measurement



ACCESSORIES TO BE USED



FEATURES

The instrument can be connected to display tables or various DCS systems to provide real-time liquid level data for industrial automation.

The instrument has the following characteristics:

- For the power supply part, high quality power modules are selected in circuit design, and imported high stable and reliable components are selected for components, which can completely replace imported instruments of the same type abroad.
- Intelligent acoustic technology software can perform intelligent echo analysis without any debugging and other special steps. This technology has the function of dynamic thinking and dynamic analysis.
- This instrument is a non-contact instrument, which does not contact with liquid directly, so the failure rate is low. Instrument provides a variety of installation methods, users can complete instrument calibration through this manual.
- All input and output lines of the instrument have the function of lightning protection and short circuit protection

Technical Specifications

Function	Compact Type
Accuracy	0.2% to 0.5%
Resolution	3mm or 0.1%
Display	LCD Display
Output	4-20mA, RS 485, HART (V7.6)
Relay Output	NO
Power Supply	24VDC, 230 VAC, 11VAC, 12VDC
Environmental Temperature	Transmitter -20~+60°C, Sensor -20~+80°C
Protection Class	Transmitter IP 67, Sensor IP 68
Cable	Based on Requirement
Probe Installation	Based on the level range
Dead Band	0.3 to 0.8m (min)

Order Code for Ultrasonic Level Transmitter

FMIPL-ULT-		X	X	X	X	X	X	X	X	X	X	X	X
SENSOR MOC	ABS - DEFAULT	SM1											
	PTFE	SM2											
	CUSTOM	CU											
DISPLAY MOUNTING	DISPLAY NOT REQUIRED		DNA										
	INTEGRAL MOUNTING		DI										
	REMOTE MOUNTING - METERS		DR										
DISPLAY ENCLOSURE TYPE	ALUMINIUM DIE-CAST - WEATHERPROOF			DE1									
	ALUMINIUM DIE-CAST - FLAMEPROOF			DE2									
	ABS - DEFAULT			DE3									
PROCESS CONNECTION TYPE	THREADED				PN1								
	FLANGE-END				PN2								
	CUSTOM				CU								
OUTPUT	4-20 MA					01							
	4-20 MA + HART					02							
COMMUNICATION OUTPUT	RS 485						C01						
POWER SUPPLY	24 VDC							PS1					
	230 VAC							PS2					
	CUSTOM							CU					
WIRING TYPE	2 - WIRE									WT1			
	4 - WIRE									WT2			
SENSOR RANGE	0-6 MTRS											SR1	
	0-8 MTRS											SR2	
	0-10 MTRS											SR3	
	0-15 MTRS											SR4	
CABLE GLAND MOC	NOT APPLICABLE												NA
	PVC - DEFAULT												CG1
	SS 304												CG2
	SS 316												CG3
	CUSTOM												CU
CABLE ENTRY STANDARD	NOT APPLICABLE												NA
	PG 9												CE1
	PG 11												CE2
	M20*1.5												CE3
	CUSTOM												CU
CABLE GLAND PROTECTION	NOT APPLICABLE												NA
	WEATHERPROOF												CP1
	FLAMEPROOF												CP2

FLOWTECH

Scan QR to Connect



Flowtech Measuring Instruments Pvt Ltd

sales@flowtech-instruments.com
flowtech-instruments.com

